

QCX
Avro
CF105
Misc-9A
copy-2

FILE IN VAULT

~~SECRET~~



National Research Council
Canada

C.I.S.T.I.

Aeronautical and
Mechanical

Engineering Library

Conseil national de recherches
Canada

I.C.I.S.T.I.

Bibliothèque

d'aéronautique

et de génie mécanique

TO
A

DATE

Report no.: QC AVRO CF105 MISC-9A

has been downgraded to: UNLIMITED
 de-classified

by (Name): B. Petzenger for P.S. Milsom

(Dept.): Access to Information and Privacy

Date: MAY 6 94

Joan Leonardo
signature



National Defence

Défense nationale

National Defence Headquarters
Ottawa, Ontario
K1A 0K2

Quartier général de la Défense nationale
Ottawa, Ontario
K1A 0K2

1463-(AC)94/0006 (DCA 3)

MAY - 6 1994
MAY 1 1994

Ms. Lorraine C. Collette ✓
Access to Information and
Privacy Co-ordinator
Corporate Services
Corporate Secretariat
National Research Council Canada
Ottawa, Ontario
K1A 0R6

TD 75462
21-4525-1(P)
SB
K6 202

Dear Ms. Collette:

I refer to your letter of consultation dated 27 April 1994 regarding the release/declassification of two charts pertaining to the Avro Arrow.

It has been determined that the charts were reproduced in a commercial book published in 1980. These charts are, therefore, considered to be in the public domain. Consequently, we have no objection to the disclosure/declassification of the enclosed charts.

Thank you for consulting the Department of National Defence.

Yours truly,

P.S. Milson
P.S. Milson
Coordinator
Access to Information and Privacy

Enclosure(s):

QCX
AVRO
CF105
MISC-9A

MAY 1 1994

Canada

Printed on recycled paper - Imprimé sur du papier recycle

October 21, 1987

Mr. James Crone
2085 Patricia Ave.
Apartment 4
Montreal, Quebec
H4B 1Y7

Dear Mr. Crone:

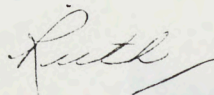
At long last the Department of National Defence has returned the Avro Arrow reports requested by you some time ago under the Access to Information Act.

With the exception of two pages in the report indicated as your #19 priority, the reports have been declassified and are available for your inspection in the Aero Library. You may wish to call Mrs. Joan Leonardo at 613-993-2757 to make arrangements to see them. The two pages referred to above have been severed under Section 15(1) of the Access to Information Act because they refer to US weapons systems that are still classified. (A copy of this section of the Act is enclosed.)

I regret that it has taken so long to make these reports available to you, and hope that they have arrived in time to be useful for your project.

As you are probably aware, you are entitled to file a complaint with the Information Commissioner if you are not satisfied with this response.

Yours sincerely,



Mrs. Ruth Deakin
Access to Information
and Privacy Coordinator

Encl.

cc: Dr. C.T. Bishop, nioo ✓
Mrs. J. Leonardo, nioo ✓

National Defence Headquarters
Ottawa, Canada
K1A 0K2

Quartier général de la Défense nationale
Ottawa, Canada
K1A 0K2

1463-(C)87/10139 (DND Inq)

Mrs. Ruth C. Deakin
Coordinator
Access to Information and Privacy
National Research Council of Canada
Building M-58
Montreal Road
Ottawa, Ontario
K1A 0R6

OCT 14 1987

Reference: (C)87/10139

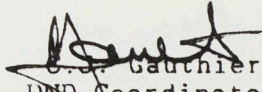
Dear Mrs. Deakin:

I refer to your letter of 27 May 1987 enclosing for review, under the terms of the Access to Information Act, 29 technical and engineering reports pertaining to the AVRO Arrow. For ease of reference, I have enclosed a copy of the same list you forwarded to us under cover of your letter of 27 May 1987.

I am pleased to inform you that they have been reviewed by officials of this institution and from a defence perspective we have no objection to disclosure of those (reports) numbers 4-9, 12-18, 21-24, 32, 35, 37 and 38. In regard to report number 19 it is recommended that pages 93 and 95 be severed and exempted pursuant to section 15(1) of the Access to Information Act. With the exception of the aforementioned pages, e.g. 93 and 95 of report 19 which refer to US weapons systems which are still classified, the appended reports have been declassified, properly annotated, and are returned to you for disclosure.

Thank you for having consulted us. Should you require any further information in this matter, Mr. Dupuis of my staff, telephone number (613) 995-8393, will be pleased to be of assistance.

Yours truly,


C. J. Gauthier
DND Coordinator
Access to Information

Enclosures:

Canada

(UNCLASSIFIED with Enclosures Removed)

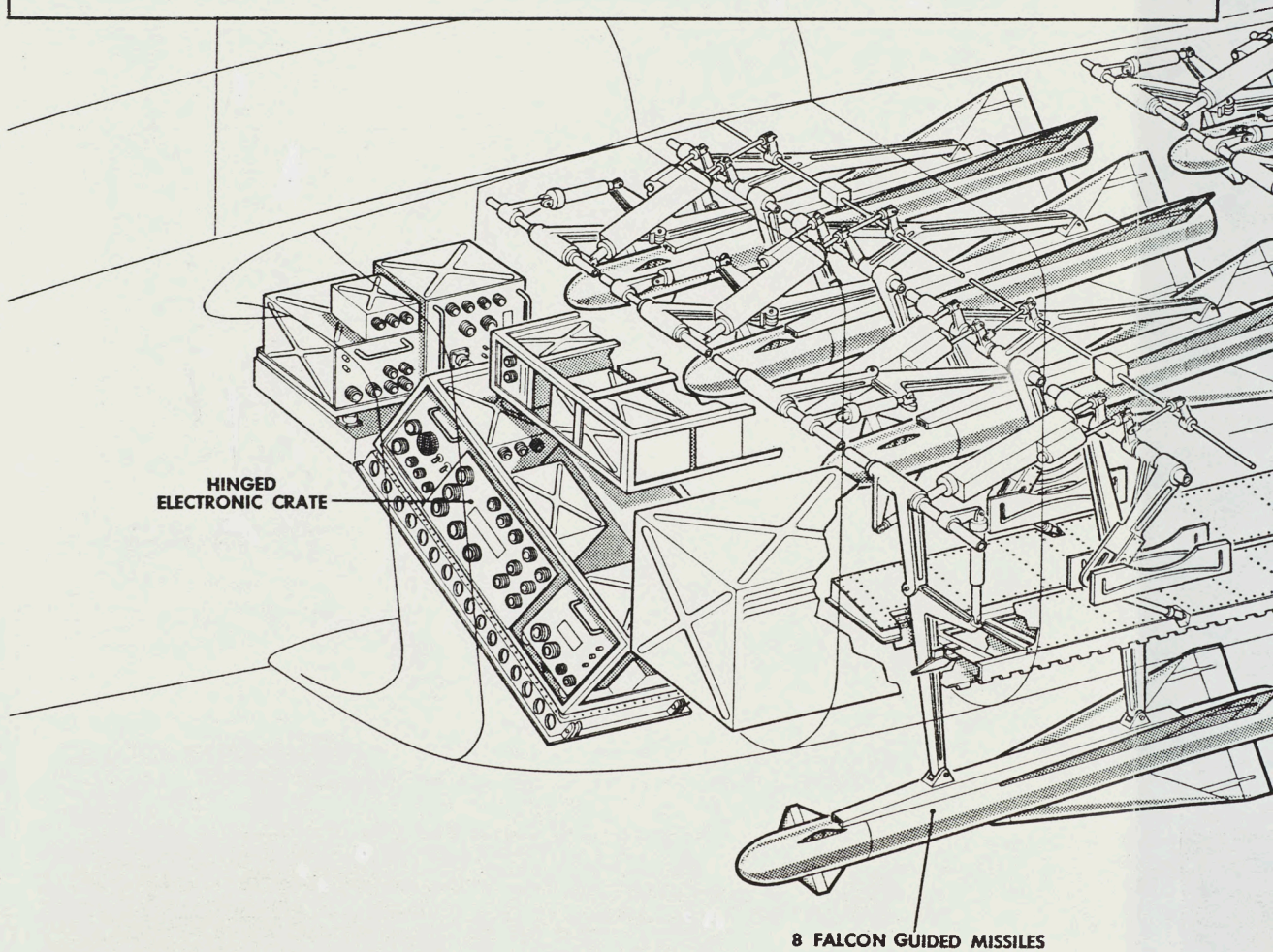
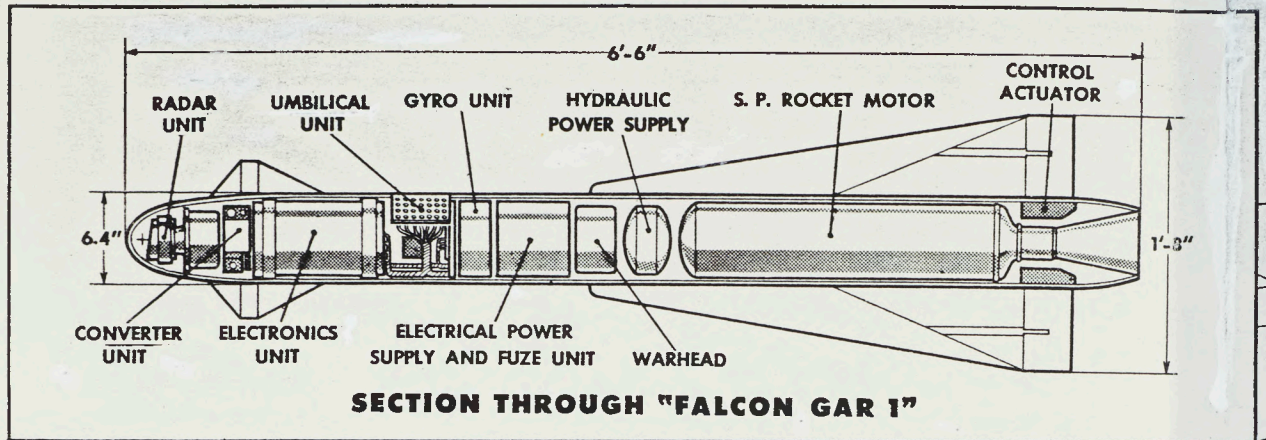
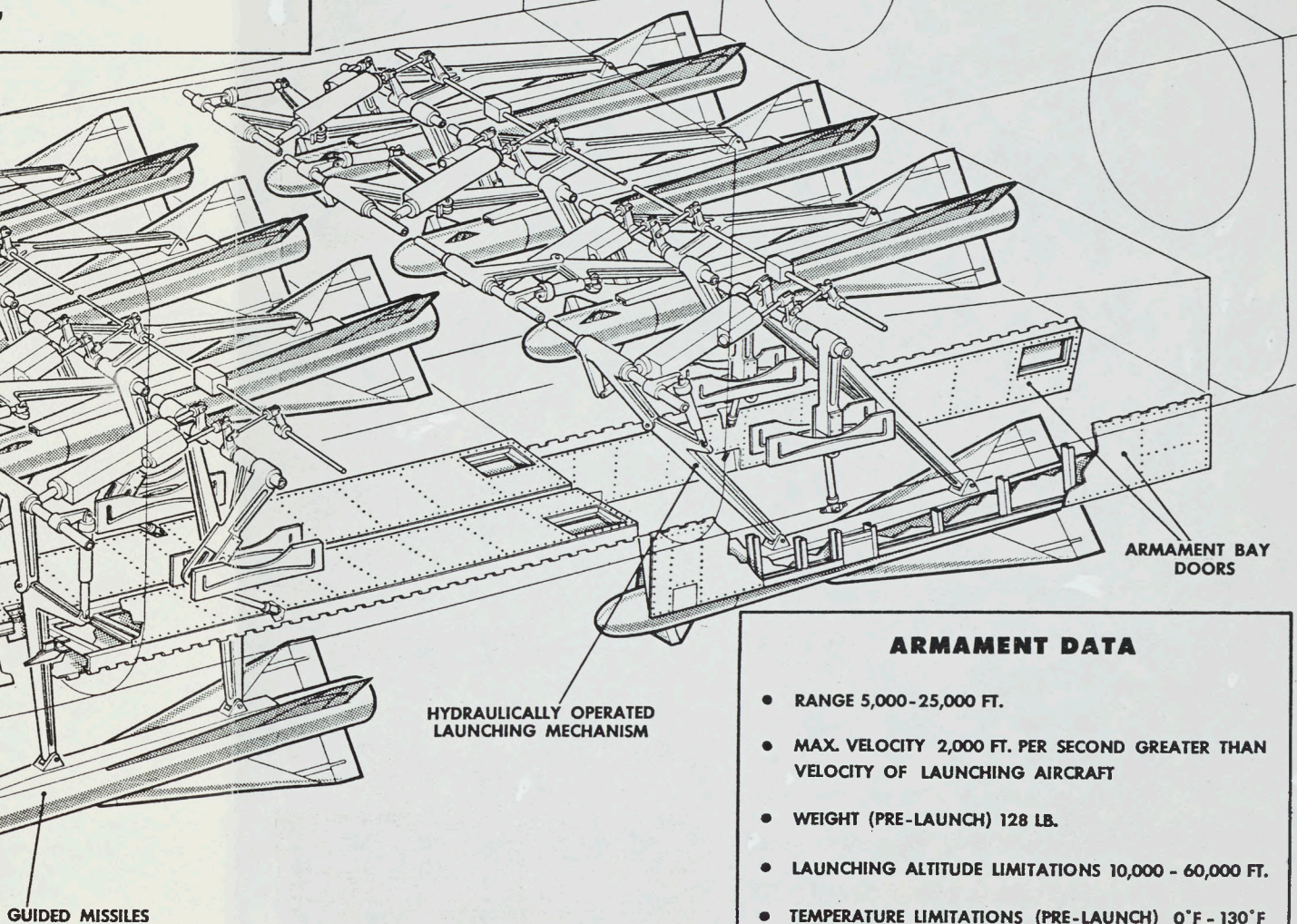
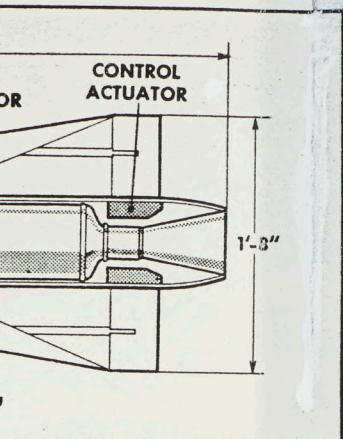
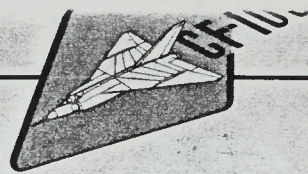


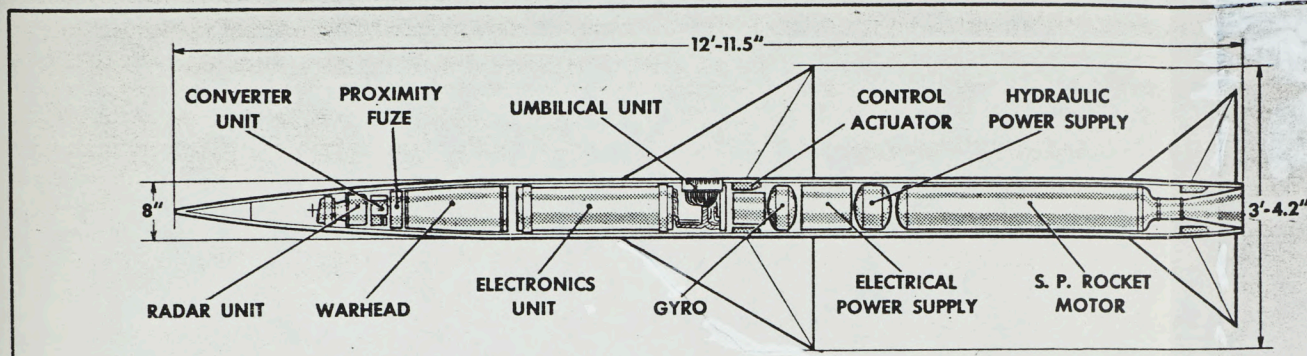
FIG. 37 ARMAMENT AND ELECTRONIC EQUIPMENT



ARMAMENT DATA

- RANGE 5,000-25,000 FT.
- MAX. VELOCITY 2,000 FT. PER SECOND GREATER THAN VELOCITY OF LAUNCHING AIRCRAFT
- WEIGHT (PRE-LAUNCH) 128 LB.
- LAUNCHING ALTITUDE LIMITATIONS 10,000 - 60,000 FT.
- TEMPERATURE LIMITATIONS (PRE-LAUNCH) 0°F - 130°F

AND ELECTRONIC EQUIPMENT INSTALLATIONS - FALCON



SECTION THROUGH "SPARROW 2" MISSILE

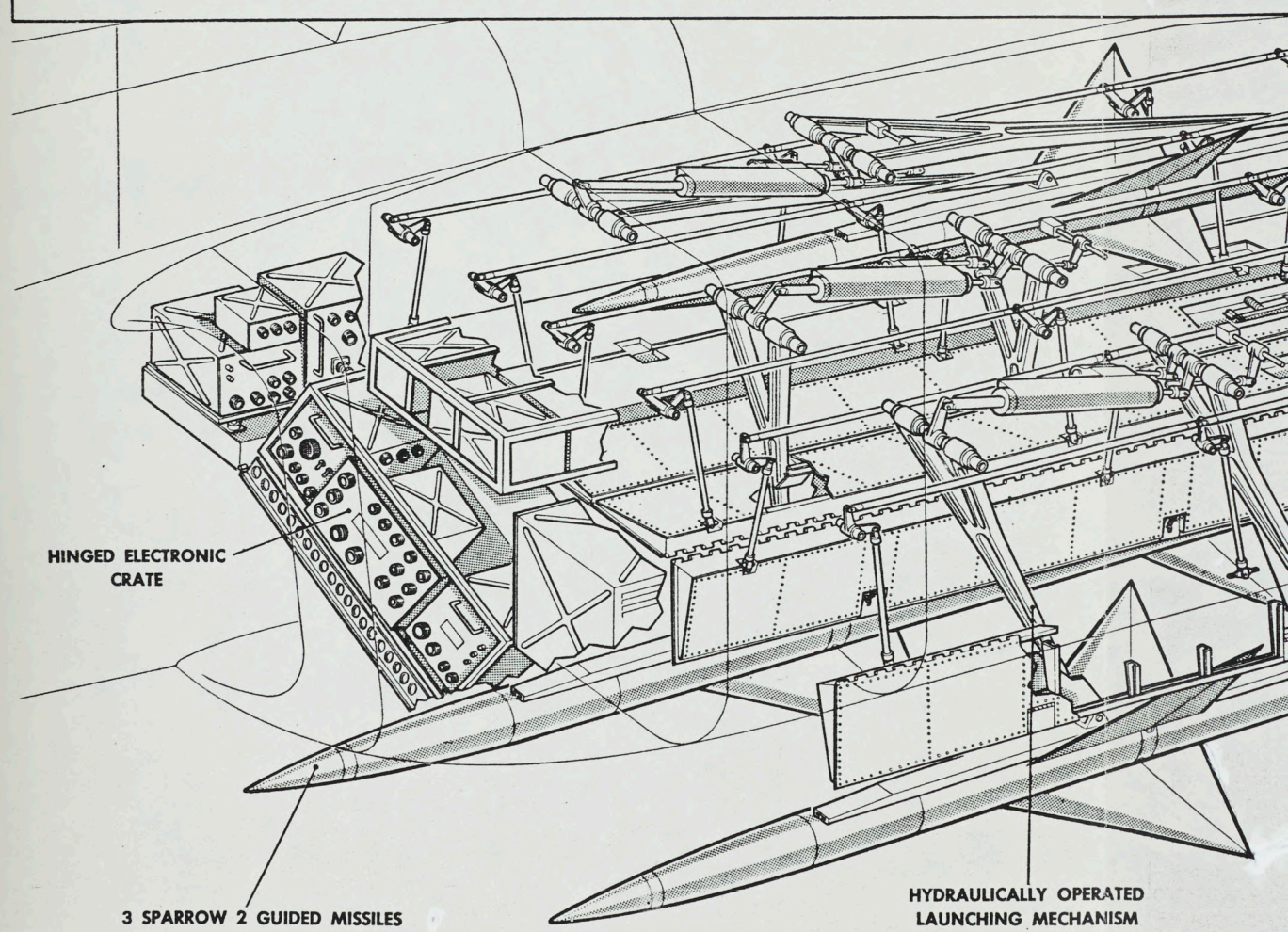
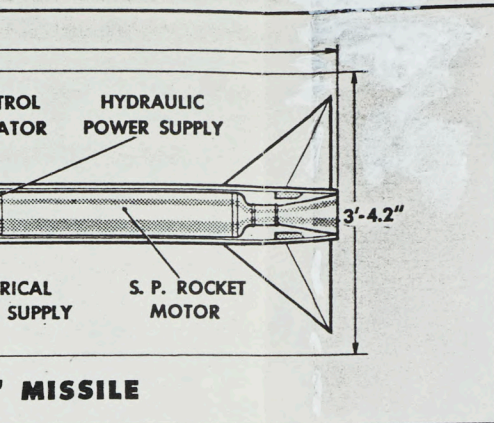
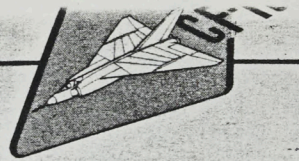
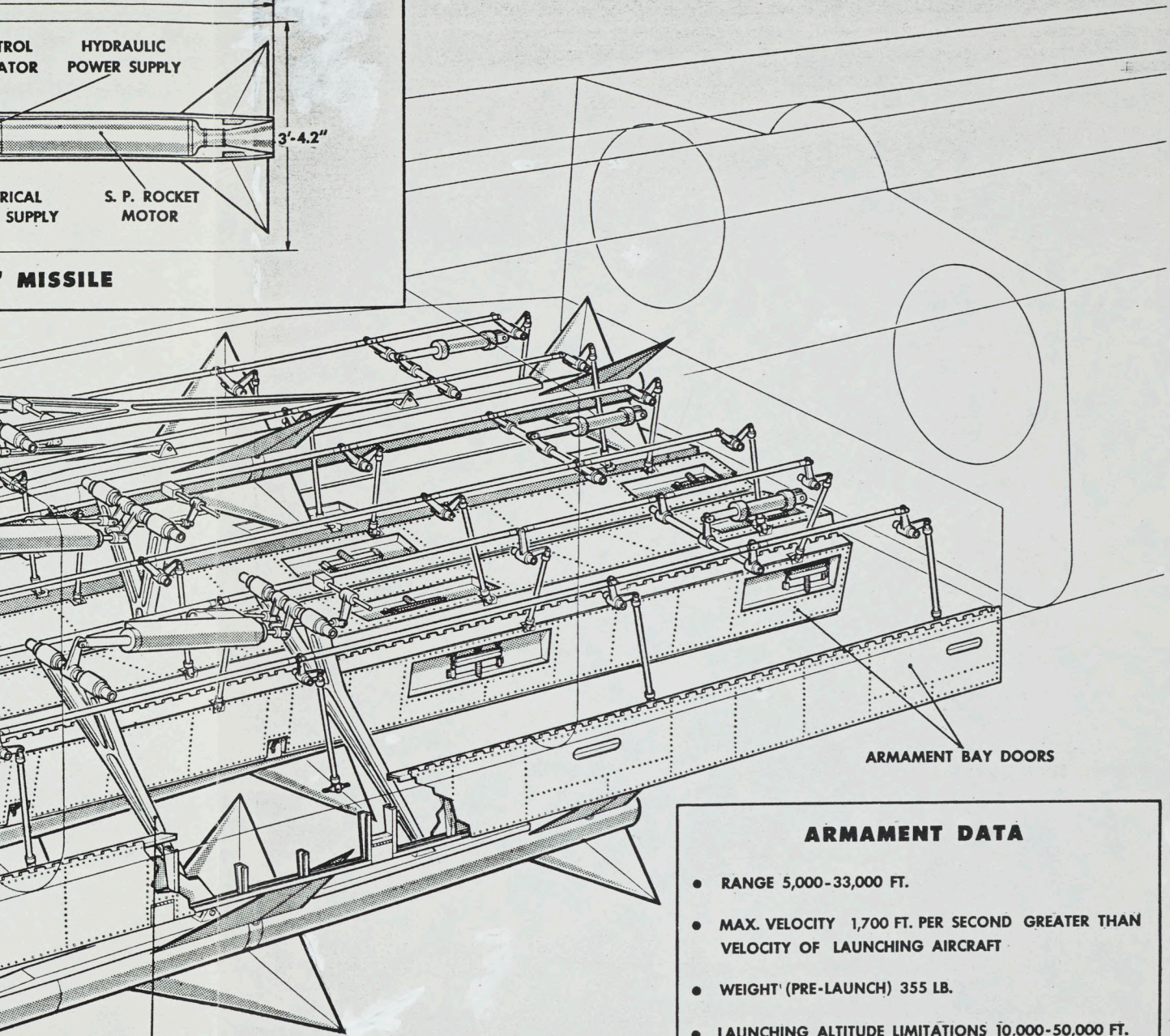


FIG. 38 ARMAMENT AND ELECTRONIC EQUIPMENT IN



SPARROW 2 MISSILE



ARMAMENT BAY DOORS

**HYDRAULICALLY OPERATED
LAUNCHING MECHANISM**

ARMAMENT DATA

- RANGE 5,000-33,000 FT.
- MAX. VELOCITY 1,700 FT. PER SECOND GREATER THAN VELOCITY OF LAUNCHING AIRCRAFT
- WEIGHT (PRE-LAUNCH) 355 LB.
- LAUNCHING ALTITUDE LIMITATIONS 10,000-50,000 FT.
- TEMPERATURE LIMITATIONS (PRE-LAUNCH) -75°F TO +150°F (FOR ROCKET MOTOR)

